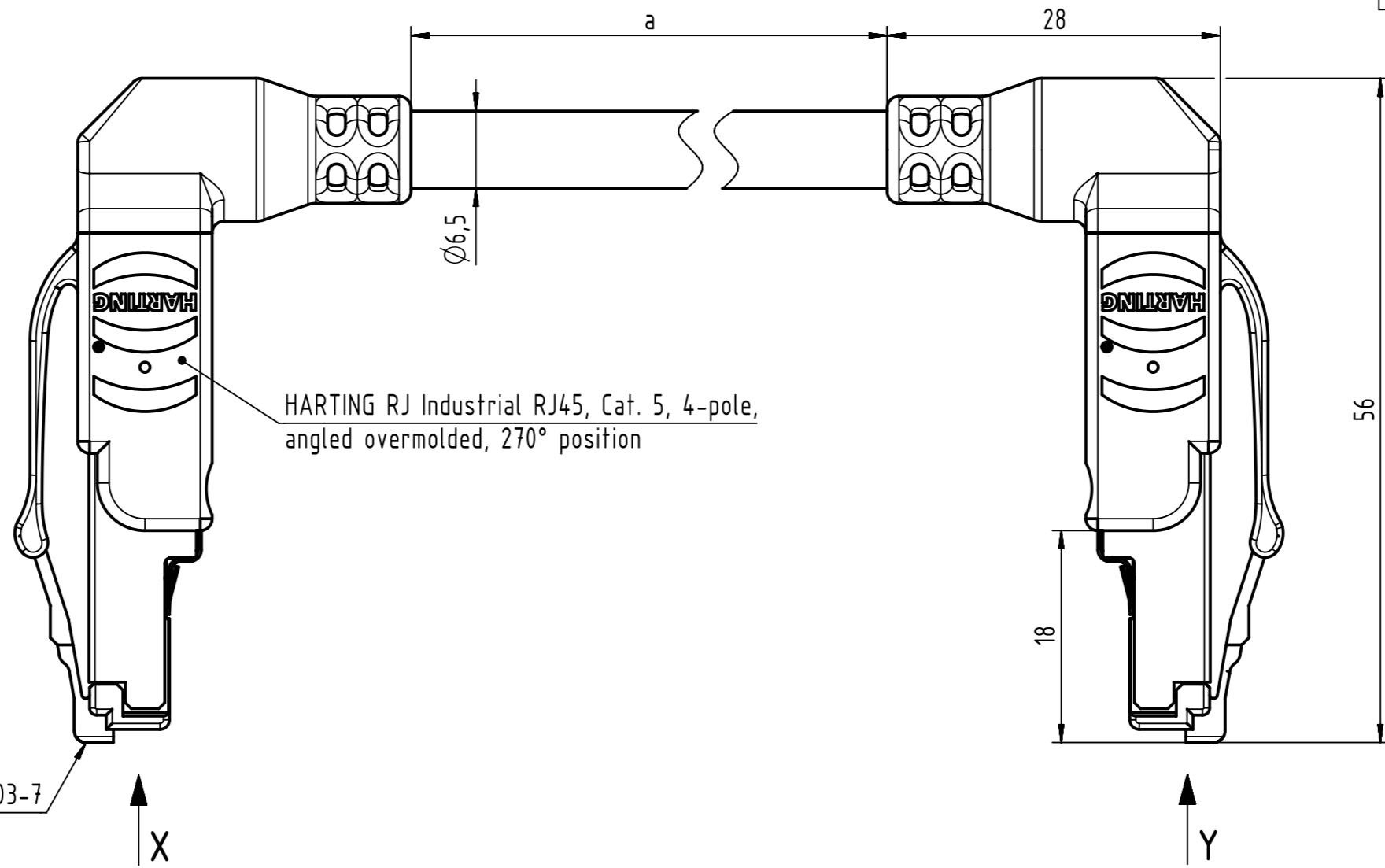


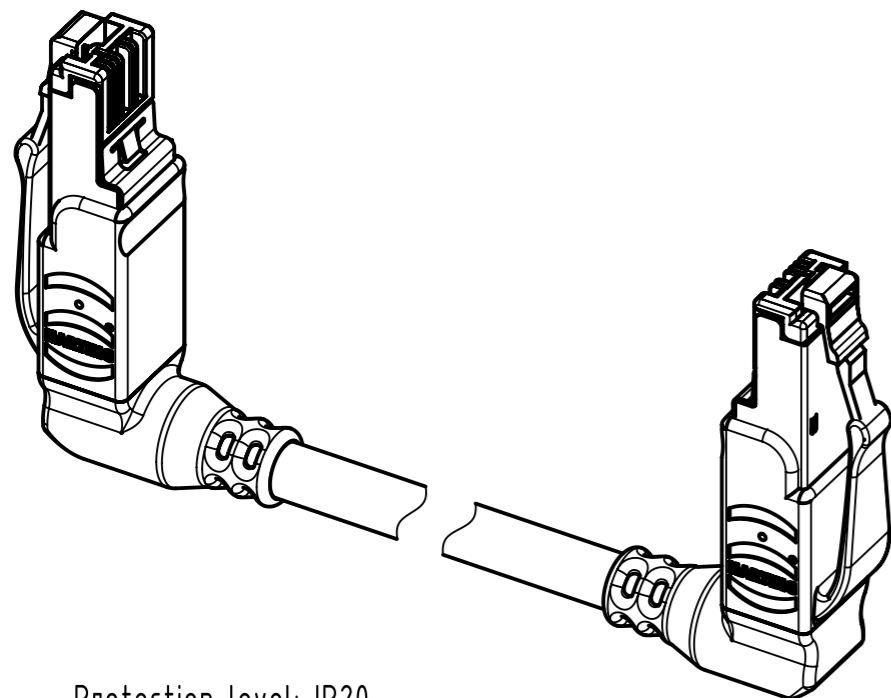
Connector Location A

Connector Location B



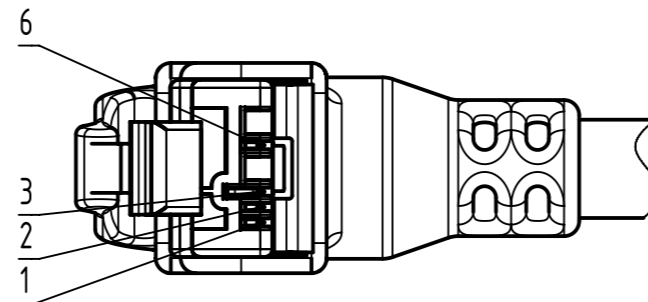
HARTING RJ Industrial RJ45, Cat. 5, 4-pole, angled overmolded, 270° position

Mating face RJ45 acc. to IEC 60603-7

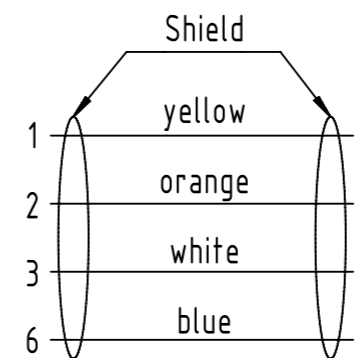


- Protection level: IP20  
- Temperature range: -40°C ... +70°C

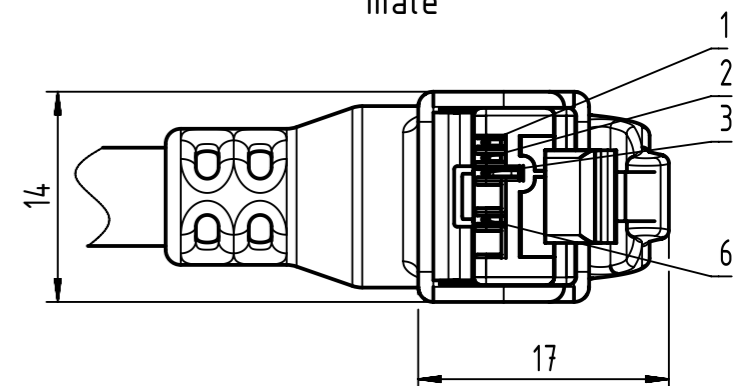
X  
male



Loading Plan




Y  
male



All Dimensions in mm		Tech. Character.		Free size tol.		According to production drawing	
All rights reserved Department HCS - RO		Created by STOCHECIC Stocheici	Inspected by COSTEA Costea	Standardisation MUNTEANV Muntean	Date 2019-08-08	State Final Release	
HARTING Customised Solutions D-32339 Espelkamp		Title RJ Industrial Cable Assembly				Doc-Key / ECM-Nr. 100155505/UGD/009/E 500000156279	
		Type TB	Number 09470303XXX			Rev. E	Page 1/2

Cont. no.	Part no.	Type of cable	Dim. a[m]	
46	09470303044	RJ45 Ethernet Stranded Cable, 4xAWG 22/7, PVC, Cat. 5+, green	100	
45	09470303043		90	
44	09470303042		80	
43	09470303041		70	
42	09470303040		60	
41	09470303039		50	
40	09470303038		40	
39	09470303037		30	
38	09470303036		20	
37	09470303035		15	
36	09470303134		12	
35	09470303034		10	
34	09470303033		9	
33	09470303032		8	
32	09470303031		7	
31	09470303030		6	
30	09470303029		5	
29	09470303028		4	
28	09470303027		3	
27	09470303026		2	
26	09470303025		1.5	
25	09470303024		1	
24	09470303023		0.5	
23	09470303089		0.25	
22	09470303022		RJ45 Ethernet Standard Cable, 4xAWG 22/1, PVC, Cat. 5+, green	100
21	09470303021			90
20	09470303020			80
19	09470303019	70		
18	09470303018	60		
17	09470303017	50		
16	09470303016	40		
15	09470303015	30		
14	09470303014	20		
13	09470303013	15		
12	09470303012	10		
11	09470303011	9		
10	09470303010	8		
9	09470303009	7		
8	09470303008	6		
7	09470303007	5		
6	09470303006	4		
5	09470303005	3		
4	09470303004	2		
3	09470303003	1.5		
2	09470303002	1		
1	09470303001	0.5		

Cont. no.	Part no.	Type of cable	Dim. a[m]	
90	09470303088	RJ45 Ethernet Stranded Cable, 4xAWG 22/7, PVC outdoor, Cat. 5+, black	100	
89	09470303087		90	
88	09470303086		80	
87	09470303085		70	
86	09470303084		60	
85	09470303083		50	
84	09470303082		40	
83	09470303081		30	
82	09470303080		20	
81	09470303079		15	
80	09470303078		10	
79	09470303077		9	
78	09470303076		8	
77	09470303075		7	
76	09470303074		6	
75	09470303073		5	
74	09470303072		4	
73	09470303071		3	
72	09470303070		2	
71	09470303069		1.5	
70	09470303068		1	
69	09470303067		0.5	
68	09470303066		RJ45 Ethernet Trailing Cable, 4xAWG 22/7, PUR, Cat. 5+, green	100
67	09470303065			90
66	09470303064			80
65	09470303063			70
64	09470303062			60
63	09470303061	50		
62	09470303060	40		
61	09470303059	30		
60	09470303058	20		
59	09470303057	15		
58	09470303056	10		
57	09470303055	9		
56	09470303054	8		
55	09470303053	7		
54	09470303052	6		
53	09470303051	5		
52	09470303050	4		
51	09470303049	3		
50	09470303048	2		
49	09470303047	1.5		
48	09470303046	1		
47	09470303045	0.5		

	All rights reserved Department HCS - RO	Created by STOCHECIC Stocheci	Inspected by COSTEA Costea	Standardisation MUNTEANV Muntean	Date 2019-08-08	State Final Release	Doc-Key / ECM-Nr. 100155505/UGD/009/E 500000156279
HARTING Customised Solutions D-32339 Espelkamp		Title RJ Industrial Cable Assembly	Type TB	Number 09470303XXX	Rev. E	Page 2/2	